



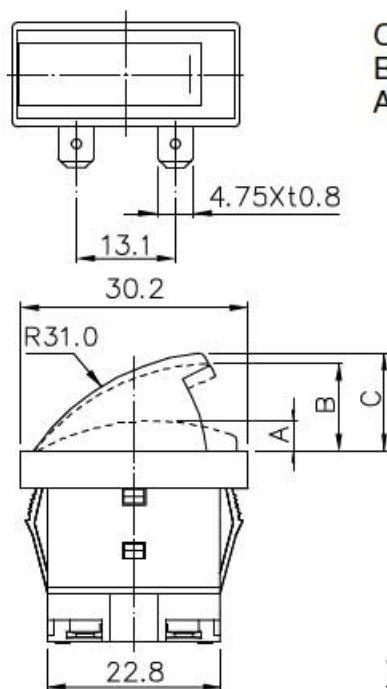
# Push Switch (For Refrigerator)



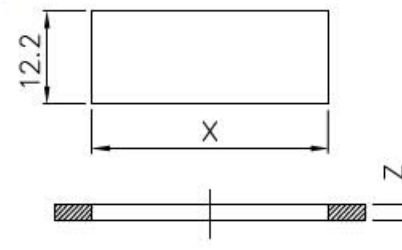
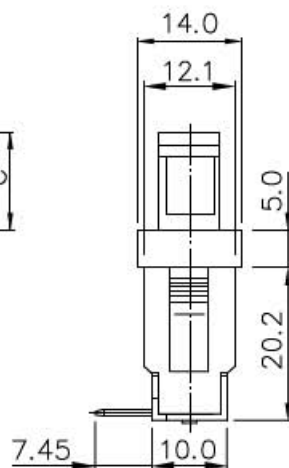
**8204  
SERIES**

## SPECIFICATION

RATING	: 0.7A 250V~ T85 1E5
INSULATION RESISTANCE	: DC 500V 100MΩ OR MORE
CONTACT RESISTANCE	: DC 2-4V 1A 100mΩ OR LESS
WITHSTAND VOLTAGE	: AC 1500V FOR 1 Min
AMBIENT TEMPERATURE	: -10°C TO 85°C
ELECTRICAL LIFE	: 100,000 CYCLES



C = 13.0 (MAX TRAVEL POSITION)  
 B = 11.6 (TERMINALS "OFF" POSITION)  
 A = 4.0 (FULL TRAVEL POSITION)



Z	X
0.7~1.00	26.4+0.1
1.00~2.00	26.9+0.1
2.00~2.50	27.1+0.1

**MOUNTING HOLE  
(FOR REFERENCE)**