

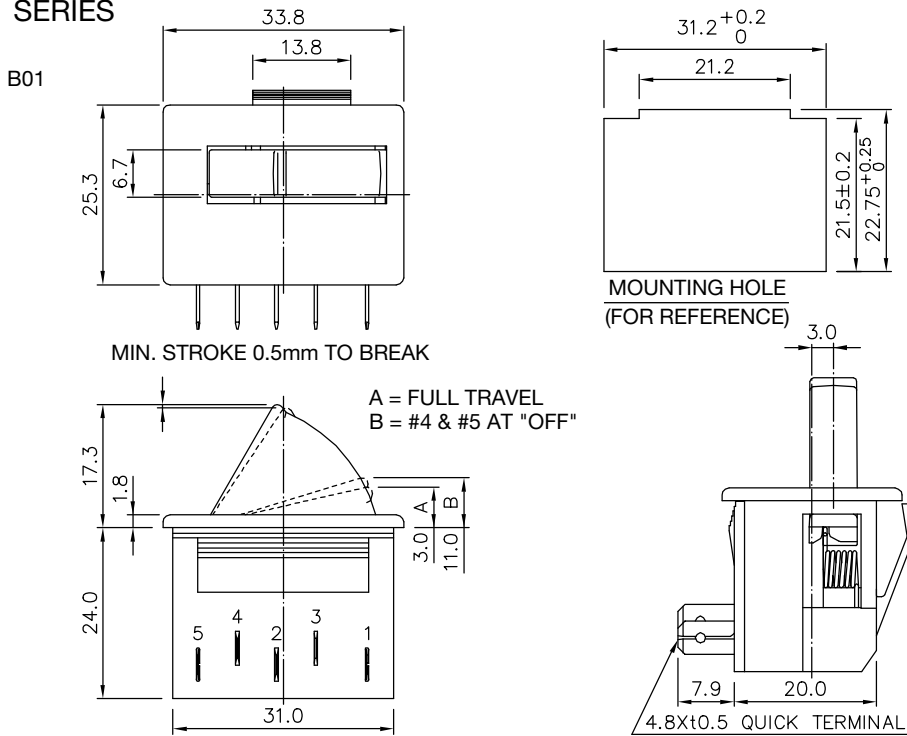


SPECIFICATION

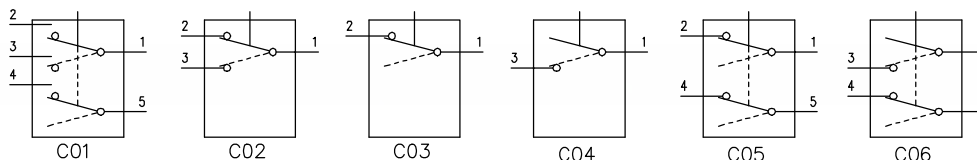
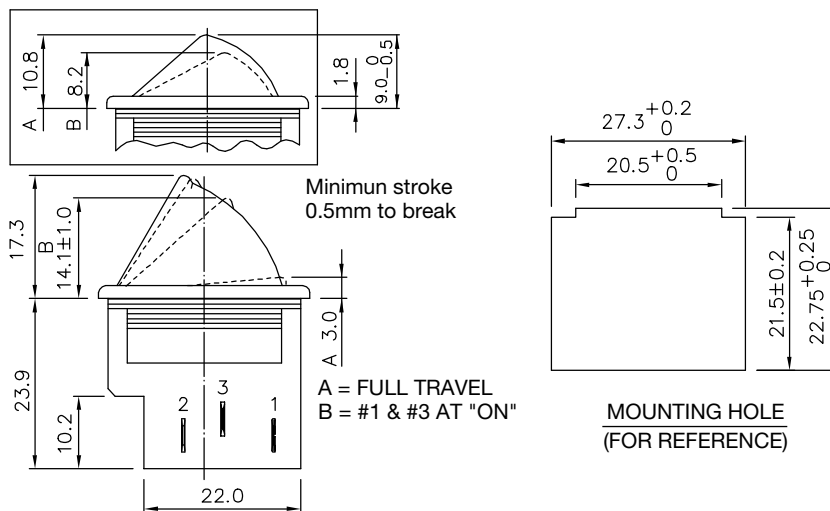


RATING	: 5A 125/250VAC TERMINAL 1-2,1-3 (UL,C-UL) 5A 250V~μ 25T85 5E4 TERMINAL 1-2,1-3 (ENEC)
INSULATION RESISTANCE	: DC 500V 100MΩ OR MORE
CONTACT RESISTANCE	: DC 2-4V 1A 100mΩ OR LESS
WITHSTAND VOLTAGE	: AC 1500V FOR 1 Min
AMBIENT TEMPERATURE	: -25°C TO 85°C
ELECTRICAL LIFE	: 50,000 CYCLES

8203 SERIES



B02 A = (FULL TRAVEL POSITION)
B = (TERMINALS No.1 & No.3 AT "ON" POSITION)



CIRCUIT DIAGRAM