

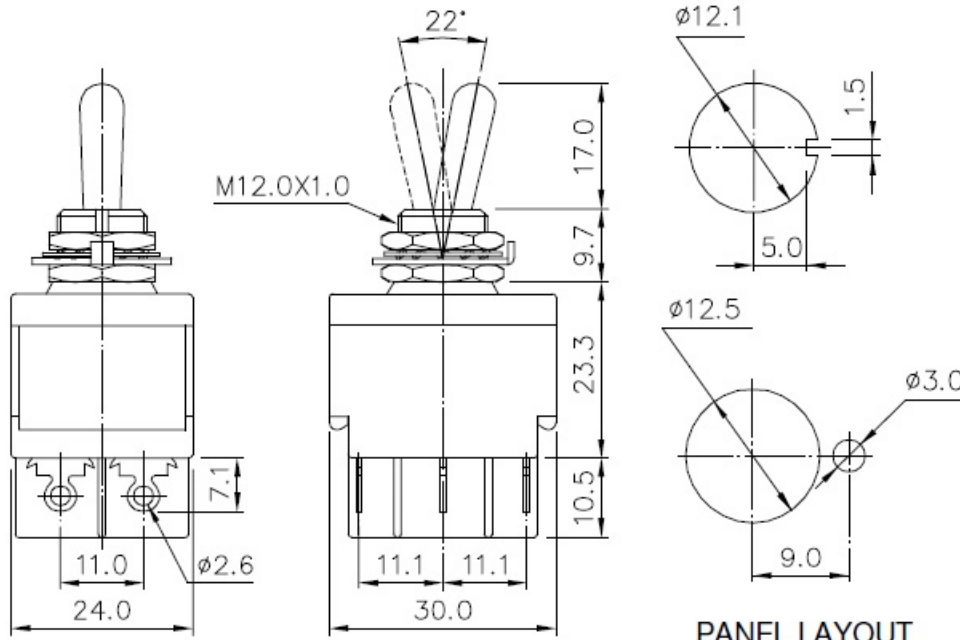


**802X  
SERIES**

## SPECIFICATION



RATING	: 16(6)A 250V~ T55
INSULATION RESISTANCE	: DC 500V 100MΩ OR MORE
CONTACT RESISTANCE	: DC 2-4V 1A 20mΩ OR LESS
WITHSTAND VOLTAGE	: AC 1500V FOR 1 Min
AMBIENT TEMPERATURE	: 0 °C TO 55 °C
ELECTRICAL LIFE	: 10,000 CYCLES



PANEL LAYOUT

## HOW TO ORDER

802  -  -

**SWITCH FUNCTION**

8021	: ON-OFF
8022	: ON-ON
8023	: ON-OFF-ON

**SHAFT**

K1:		MATERIAL: PLASTICS
K2:		MATERIAL: METAL

**TERMINAL**

T1:	
T2:	6.35x0.8
T3:	M3.0x0.5