

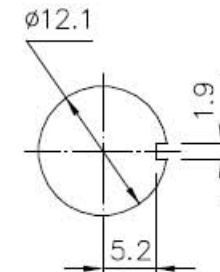
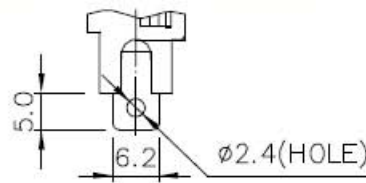
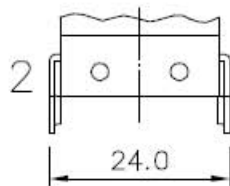
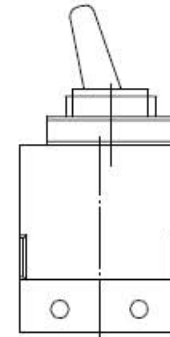
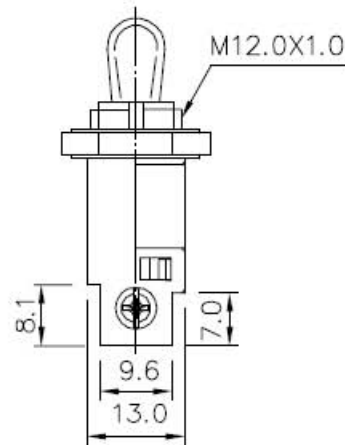
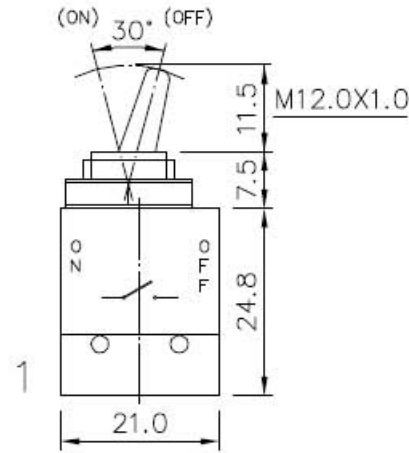


SPECIFICATION



RATING	: 16A 125/ 250VAC
INSULATION RESISTANCE	: DC 500V 100MΩ OR MORE
CONTACT RESISTANCE	: DC 2-4V 1A 20mΩ OR LESS
WITHSTAND VOLTAGE	: AC 1500V FOR 1 Min
AMBIENT TEMPERATURE	: 0 °C TO 55 °C
ELECTRICAL LIFE	: 6,000 CYCLES

7101 SERIES



PANEL LAYOUT