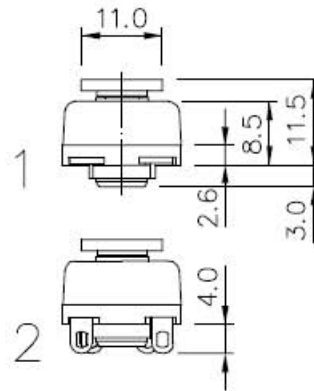
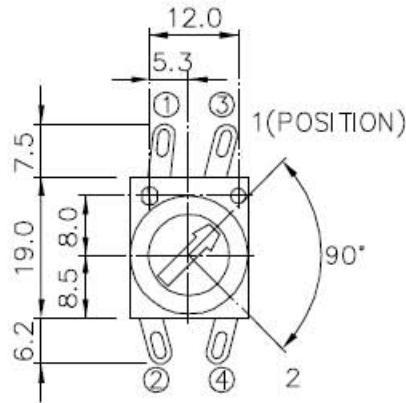




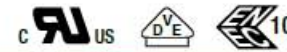
## 3118 SERIES



### CIRCUIT

1 POSITION	2 POSITION
① — ③	①    ③
②    ④	②    ④

## SPECIFICATION



RATING	: 10A 125VAC , 6A 250VAC T105 (UL,C-UL) 10A 125V~ , 6A 250V~ T125 (ENEC)
INSULATION RESISTANCE	: DC 500V 100MΩ OR MORE
CONTACT RESISTANCE	: DC 2-4V 1A 20mΩ OR LESS
WITHSTAND VOLTAGE	: AC 1500V FOR 1 Min
AMBIENT TEMPERATURE	: 0 °C TO 125 °C
ELECTRICAL LIFE	: 10,000 CYCLES

### KNOB TYPE

K1		
K2		
K3		
K4		
K5		
K6		
K7		