

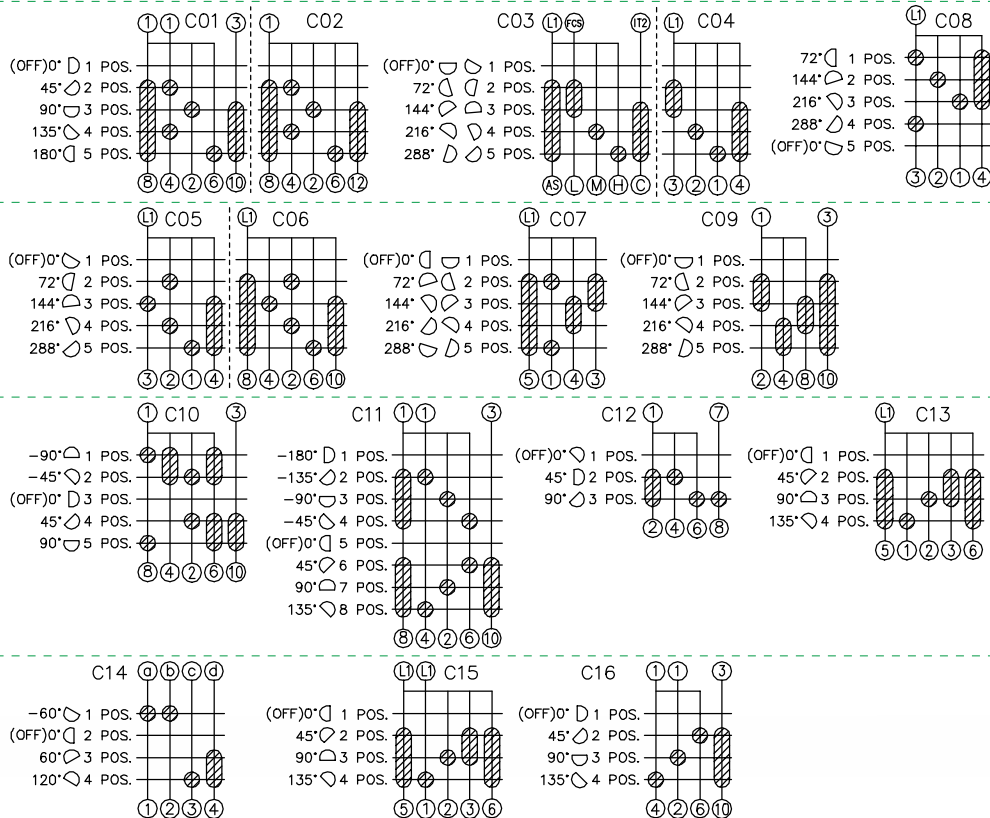
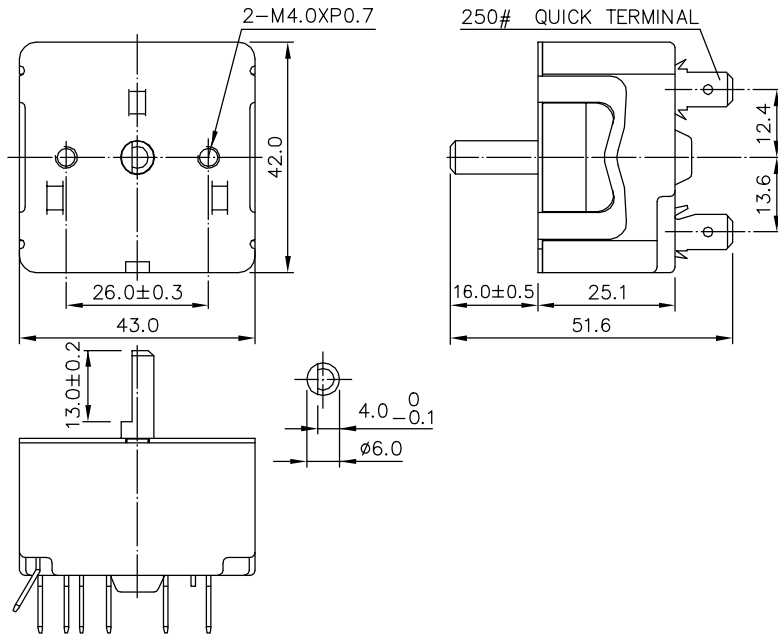


2141B
SERIES

SPECIFICATION

RATING	:	③ - ⑩	20.2A 125/250VAC & 30.2A 125/250VAC 1HP/2HP 125/250VAC
		① - ② ① - ④ ① - ⑥ ① - ⑧	1/3HP, 8A 125/250VAC

INSULATION RESISTANCE	:	DC 500V 100MΩ OR MORE
CONTACT RESISTANCE	:	DC 2-4V 1A 30mΩ OR LESS
WITHSTAND VOLTAGE	:	AC 1500V FOR 1 Min
ELECTRICAL LIFE	:	6,000 CYCLES



WITH DUMMY TERMINAL