

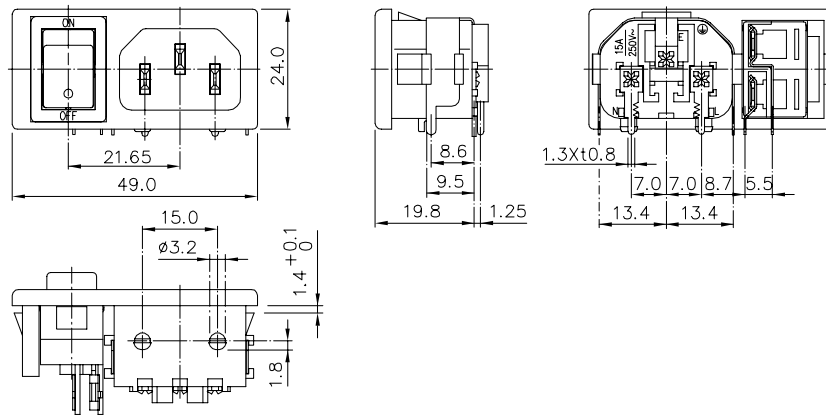
3544 SERIES

SPECIFICATION



RATING:	10A 250VAC, 15A 250VAC
INSULATION RESISTANCE:	DC 500V 100MΩ OR MORE
WITHSTAND VOLTAGE:	AC 1500V FOR 1 Min
AMBIENT TEMPERATURE:	70°C

T1B01



T2B01

