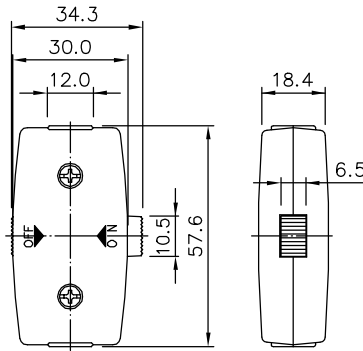




**1402
SERIES**

SPECIFICATION

RATING	: 3A 125VT , 6A 250VAC
CIRCUIT	: ON - OFF
INSULATION RESISTANCE	: DC 500V 100MΩ OR MORE
CONTACT RESISTANCE	: DC 2-4V 1A 20mΩ OR LESS
WITHSTAND VOLTAGE	: AC 1500V FOR 1 Min



WIRE TYPE

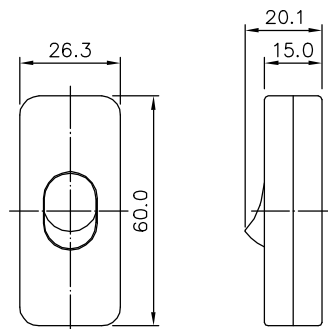
18AWG/2CORES/3CORES (SPT-1)
18AWG/2CORES/3CORES (SPT-2)
16AWG/2CORES (SPT-2)
18AWG/2CORES/3CORES (SVT-UNSHIELED)
18AWG/2CORES/3CORES (SJT-UNSHIELED)



**1404
SERIES**

SPECIFICATION

RATING	: 1A 125VAC, 2.5A 250V~ T55 (ENEC)
CIRCUIT	: ON - OFF
INSULATION RESISTANCE	: DC 500V 100MΩ OR MORE
CONTACT RESISTANCE	: DC 2-4V 1A 20mΩ OR LESS
WITHSTAND VOLTAGE	: AC 1500V FOR 1 Min



WIRE TYPE

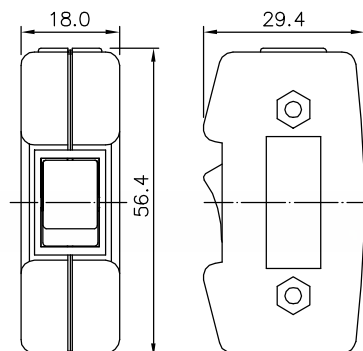
18AWG/2CORES (SPT-2)
18AWG/2CORES (NISPT-2)
H03VVH2-F 2X0.75mm (ENEC)



**1405
SERIES**

SPECIFICATION

RATING	: 6A 250VAC
CIRCUIT	: ON - OFF
INSULATION RESISTANCE	: DC 500V 100MΩ OR MORE
CONTACT RESISTANCE	: DC 2-4V 1A 20mΩ OR LESS
WITHSTAND VOLTAGE	: AC 1500V FOR 1 Min



WIRE TYPE

18AWG/2CORES (SPT-2)
18AWG/2CORES (NISPT-2)