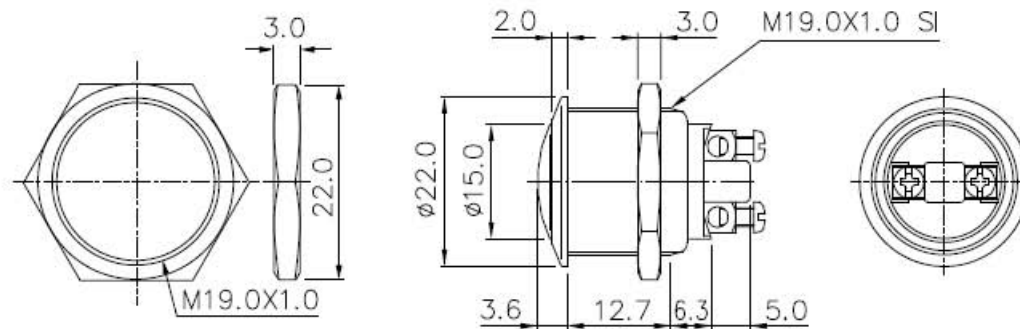




**8226  
SERIES**

## SPECIFICATION

RATING	: 8A 125VAC , 4A 250VAC
CIRCUIT	: (ON) - OFF
INSULATION RESISTANCE	: DC 500V 100MΩ OR MORE
CONTACT RESISTANCE	: DC 2-4V 1A 100mΩ OR LESS
WITHSTAND VOLTAGE	: AC 1500V FOR 1 Min
AMBIENT TEMPERATURE	: -30 °C TO 70 °C
ELECTRICAL LIFE	: 10,000 CYCLES
PANEL THICKNESS	: 1mm TO 11mm max.
PANEL CUT-OUT	: Ø19.2mm
MIN. PITCH FOR MATRIX MOUNTING	: 30mm X 30mm



NOTE : Screw terminals for wires 1.5mm<sup>2</sup> MAX.