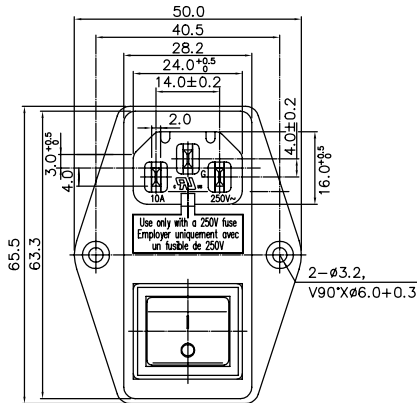




**3545  
SERIES**

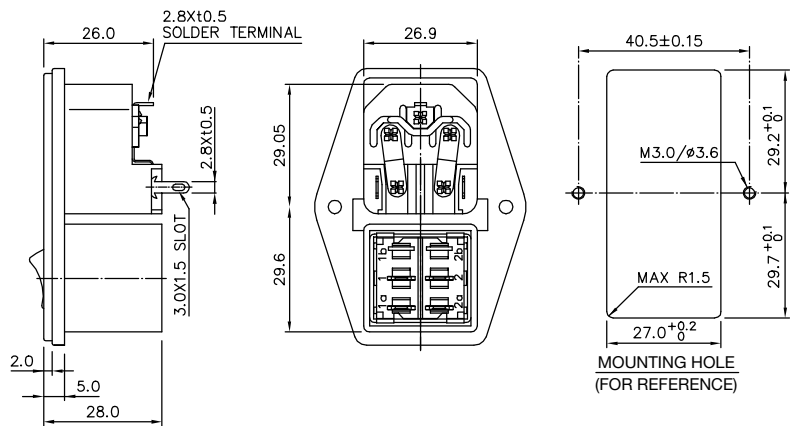


## SPECIFICATION

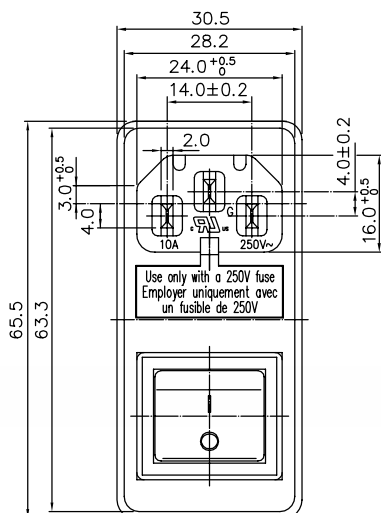


RATING	: 10A 250VAC (UL,C-UL)
INLET	: 10A 250V~ (ENEC)
FUSE HOLDER	:  MAX.10A/ 2 X 2.5W 250V~ (ENEC)
INSULATION RESISTANCE	: DC 500V 100MΩ OR MORE
WITHSTAND VOLTAGE	: AC 1500V FOR 1 Min

Standards: IEC60320/C14, IEC60127



**3545  
SERIES**



## SPECIFICATION



RATING	: 10A 250VAC (UL,C-UL)
INLET	: 10A 250V~ (ENEC)
FUSE HOLDER	:  MAX.10A/2.5W 250V~ (ENEC)
INSULATION RESISTANCE	: DC 500V 100MΩ OR MORE
WITHSTAND VOLTAGE	: AC 1500V FOR 1 Min

Standards: IEC60320/C14, IEC60127

