



Socket (Connector)



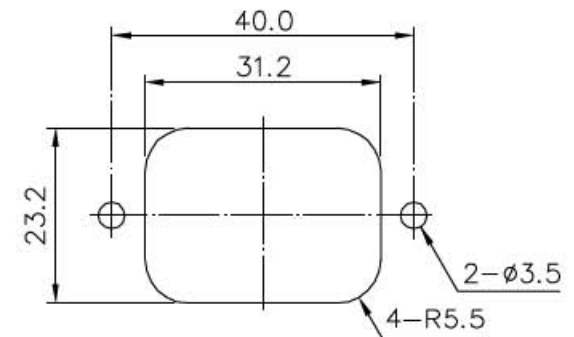
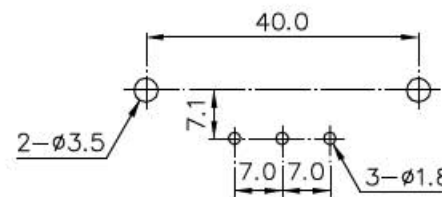
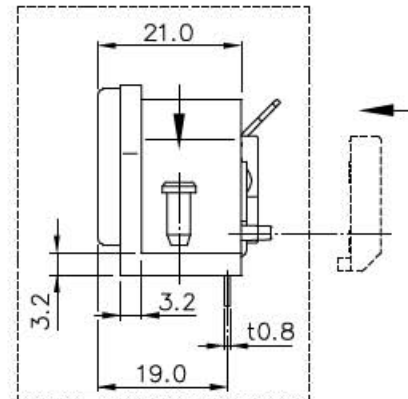
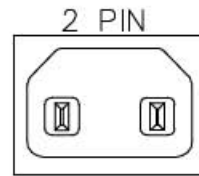
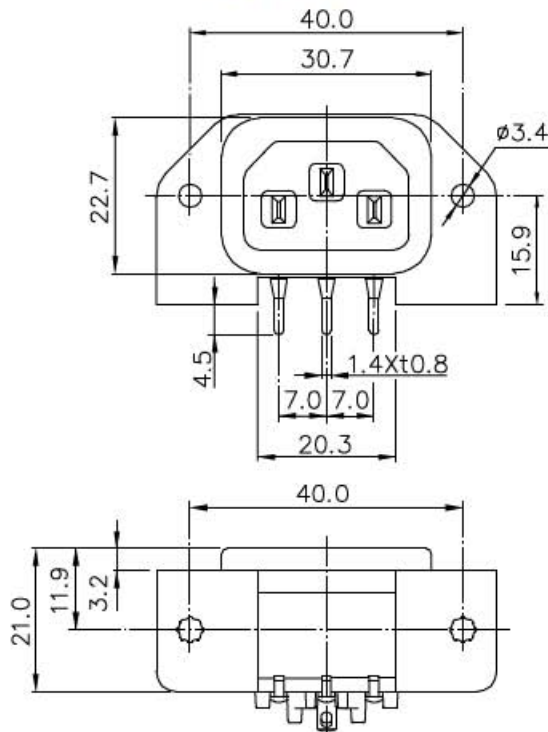
SPECIFICATION



RATING	: 15A 250VAC (UL,C-UL) 10A 250V~ (ENEC)
INSULATION RESISTANCE	: DC 500V 100MΩ OR MORE
WITHSTAND VOLTAGE	: AC 1500V FOR 1 Min

Standards: IEC60320/C14/C18

3523 SERIES



MOUNTING HOLE
(FOR REFERENCE)

PC LAYOUT DIM