

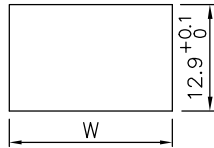


SPECIFICATION



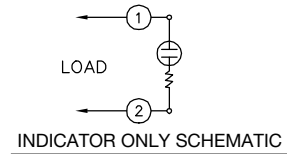
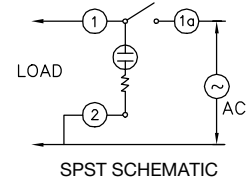
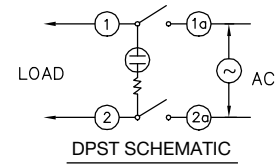
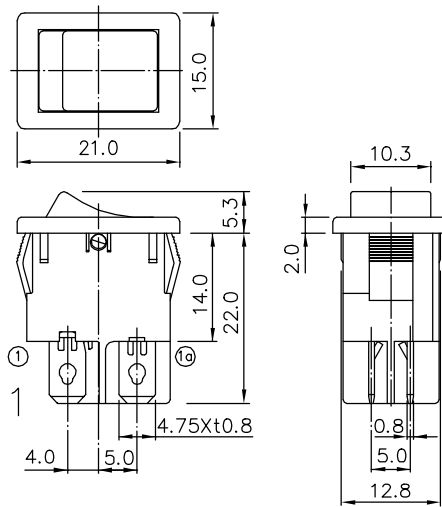
RATING	: 6A 125VAC , 4A 250VAC (UL,C-UL) 1/10HP 125/250VAC (UL,C-UL) 4(1)A 250V~ T85 (ENEC)
INSULATION RESISTANCE	: DC 500V 100MΩ OR MORE
CONTACT RESISTANCE	: DC 2-4V 1A 20mΩ OR LESS
WITHSTAND VOLTAGE	: AC 1500V FOR 1 Min
AMBIENT TEMPERATURE	: 0 °C TO 85 °C
ELECTRICAL LIFE	: 10,000 CYCLES

3022 SERIES



W	PANEL THICK
19.2	0.75 ~ 1.25
19.4	1.25 ~ 2.00
19.8	2.00 ~ 3.00

MOUNTING HOLE
(FOR REFERENCE)



HOW TO ORDER

3022 - □ - □ - □ - □ - □ - □ - □ - □

NOB	PRINT	LIGHT	CONTACT	TERMINAL	CIRCUIT	NOB COLOR	NOB COLOR
NONE	P0: NONE	L0: NONE	C1: Ag ALLOY	T2: 4.75x10.8	S: SPST	BK: BLACK	BK: BLACK
K2:	P1:	L2: AC250V YELLOW NEON LAMP		T2A: 1.8x10.8	D: DPST	BU: BLUE	SW: SNOW WHITE
K3:	P2:	L3: DC48V RED LED				GN: GREEN	
	P3:	L4: AC250V GREEN NEON LAMP				RD: RED	
	P4:	L5: AC125V YELLOW NEON LAMP					
	P5:	L6: AC125V GREEN NEON LAMP					
	P6:	L7: AC250V 6mm GREEN NEON LAMP					
	P8:	L8: 1/2 2.2KΩ BLUE LED					