



**3018
SERIES**

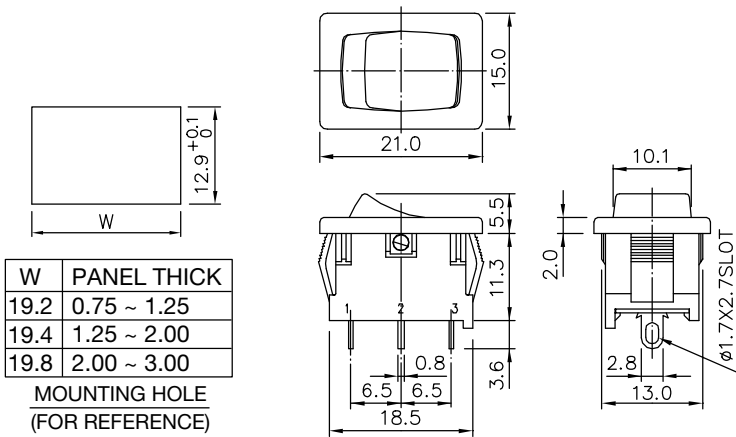
SPECIFICATION



RATING	: 10A 125VAC , 6A 250VAC (UL,C-UL) 6(4)A 250V~ T85 (ENEC)
INSULATION RESISTANCE	: DC 500V 100MΩ OR MORE
CONTACT RESISTANCE	: DC 2-4V 1A 20mΩ OR LESS
WITHSTAND VOLTAGE	: AC 1500V FOR 1 Min
AMBIENT TEMPERATURE	: 0 °C TO 85 °C
ELECTRICAL LIFE	: 10,000 CYCLES

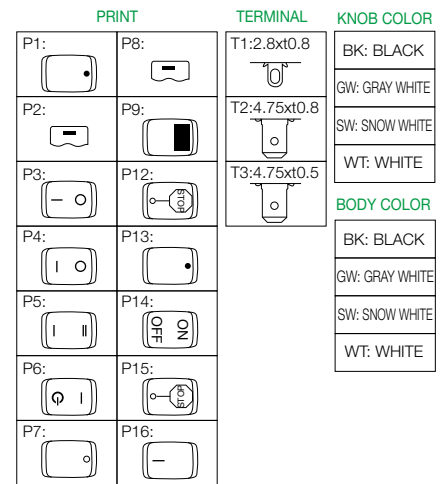
HOW TO ORDER

3018 - □ - □ - C1 - □ - □



W	PANEL THICK
19.2	0.75 ~ 1.25
19.4	1.25 ~ 2.00
19.8	2.00 ~ 3.00

MOUNTING HOLE
(FOR REFERENCE)



**3053
SERIES**

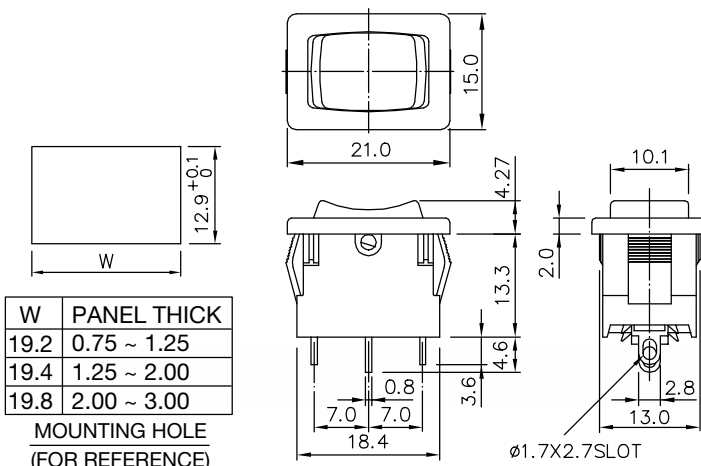
SPECIFICATION



RATING	: 10A 125VAC , 6A 250VAC (UL,C-UL) 6(4)A 250V~μ T85 (ENEC)
INSULATION RESISTANCE	: DC 500V 100MΩ OR MORE
CONTACT RESISTANCE	: DC 2-4V 1A 20mΩ OR LESS
WITHSTAND VOLTAGE	: AC 1500V FOR 1 Min
AMBIENT TEMPERATURE	: 0 °C TO 85 °C
ELECTRICAL LIFE	: 10,000 CYCLES

HOW TO ORDER

3053 - □ - □ - □ - □ - □



W	PANEL THICK
19.2	0.75 ~ 1.25
19.4	1.25 ~ 2.00
19.8	2.00 ~ 3.00

MOUNTING HOLE
(FOR REFERENCE)

