

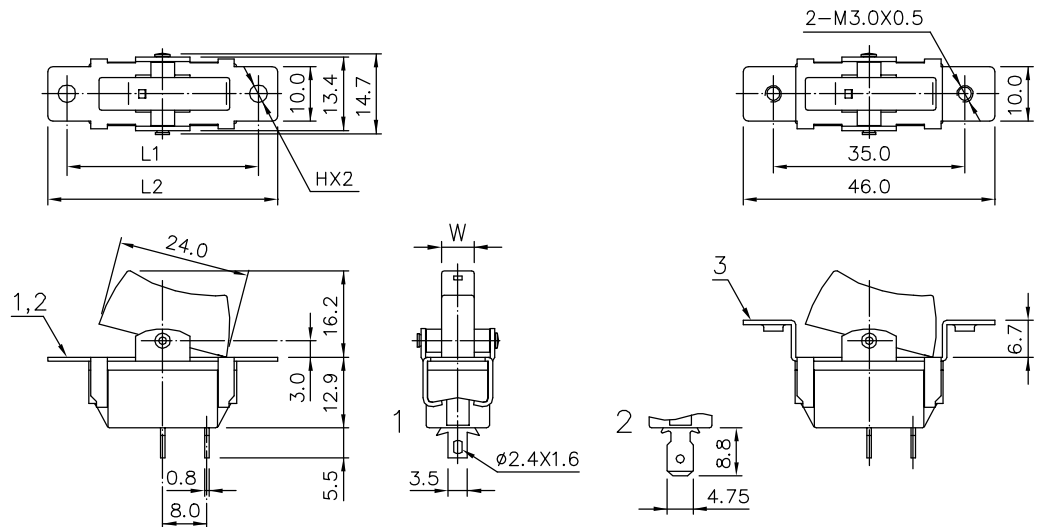
SEE SAW (ROCKER)



SPECIFICATION

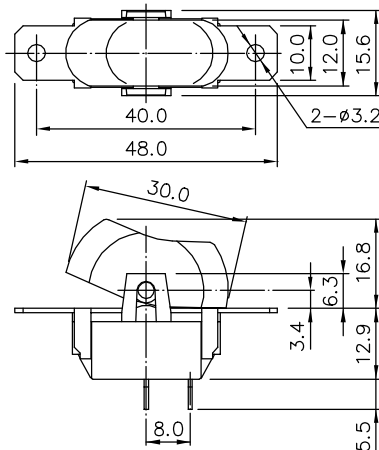
RATING	: 10A 125VAC , 6A 250VAC (UL,C-UL)
INSULATION RESISTANCE	: DC 500V 100MΩ OR MORE
CONTACT RESISTANCE	: DC 2-4V 1A 20mΩ OR LESS
WITHSTAND VOLTAGE	: AC 1500V FOR 1 Min
AMBIENT TEMPERATURE	: 0 °C TO 55 °C
ELECTRICAL LIFE	: 6,000 CYCLES

**3001
SERIES**



**3001J
SERIES**

MODEL No. : 3001J



KNOB'S TYPE

1	W=6.0 mm
2	W=8.0 mm

BRACKET'S TYPE

1	L1=35,L2=42,H=Ø3.2
2	L1=35,L2=42,H=M3X0.5
3	L1=35,L2=46,H=M3X0.5

SWITCH FUNCTION

MODEL NO.	OFF	ON	OPERATIONS	APPROVAL
3001			SPST	

TERMINAL'S TYPE

1	SOLDER TERMINAL
2	QUICK TERMINAL